

Transfer Tray P 7036



Transfer Tray P 7036

This unit was designed for flush mounting into cash desks of high-security areas. It is intended for indoor use in central banks, embassies, prisons and the army. The steel rail on top of the unit makes sure that the glazing above can be connected without slots and gaps.

Security

P 7036 is available in bulletproof classification FB4-NS and FB6-NS. Moreover the unit was tested according to DIN 52 290 in classification M5-SF which correlates to FB7-NS.

On request we send you the test certificate(s).

Operation

The unit is operated manually and locks in both end positions. It automatically unlocks when moving the tray by pushing or pulling the lever. The opening that respectively arises is closed by a counter-moving cover plate to prevent from unintended insertion of goods into the cabinet.

Construction and finish

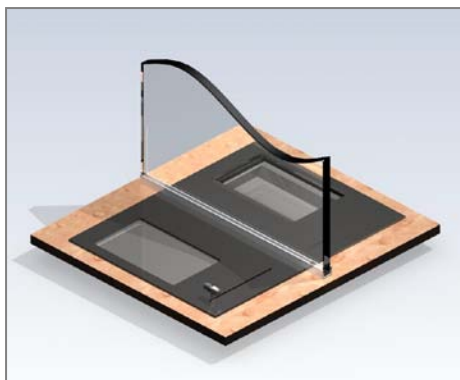
Robust steel construction with long-living and maintenance-free mechanics. Cover frame and counter moving cover plate with abrasion-resistant structure lacquering (RAL 9005, Jet black).

Installation

The unit can be fitted into the prepared cut-out of the counter either from above or below and is solidly underpinned so the cover frame is flush with the counter. The surrounding gap has to be adequately sealed. In order to build in the unit completely flush with the counter, the desk plate can be milled.

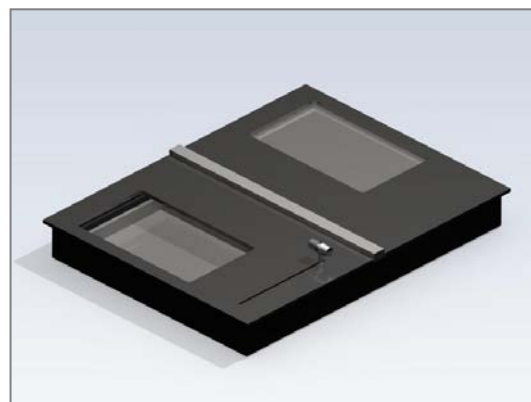
In any case, the unit has to be supported by e.g. consoles to make sure that the whole weight does not burden on the cover frame.

It should be also possible to dismantle the unit in case of later repairs and maintenance work will be necessary.



Intercommunication system

We recommend our Intercom System Delta to allow customer-friendly communication between operator and customer.



Scope of delivery – execution standard black

P 7036 - FB4-NS (Item No.: 101962)

(lighter casing in FB4-NS)

P 7036 - FB6-NS (Item No.: 100769)

P 7036 - FB7*-NS (Item No.: 100777)

Possible variants

P 7036/VA - either in FB4, FB6 or FB7*
frame and counter moving cover plate in stainless steel V2a brushed

P 7036/EV1 - either in FB4, FB6 or FB7*
frame and counter moving cover plate in aluminium EV1 anodized

Possible are also combinations of the above mentioned units as well as units for thicker walls or with special dimensions, different colours and materials.

Please contact us.

Security (Bulletproof acc. to DIN EN 1522)

FB4-NS (also BGV C9 - UVV Kassen)

FB6-NS or in FB7*-NS

Cash desk cut-out:

W x D = 606 x 786 mm

Outer dimensions:

W x H x D = 600 x 92 (107) x 780 mm

Inner clearance:

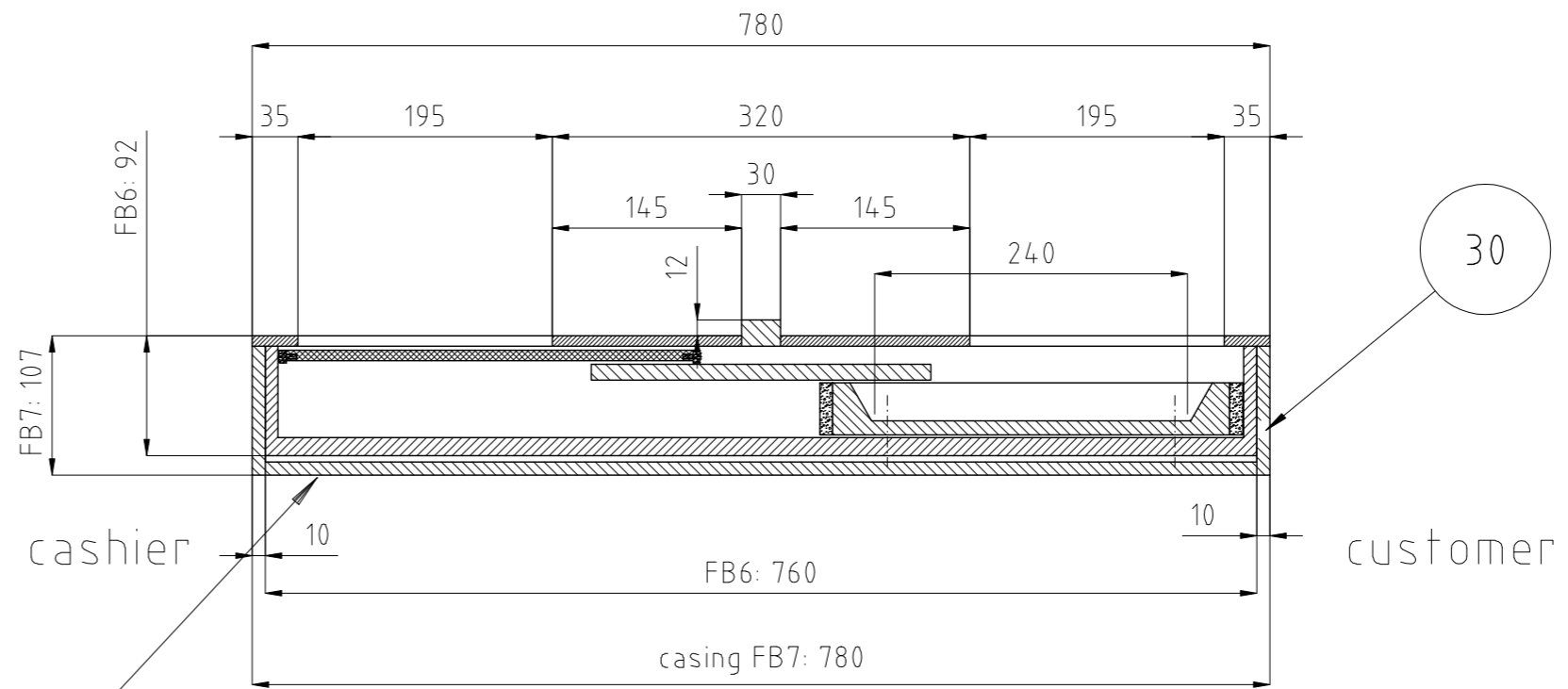
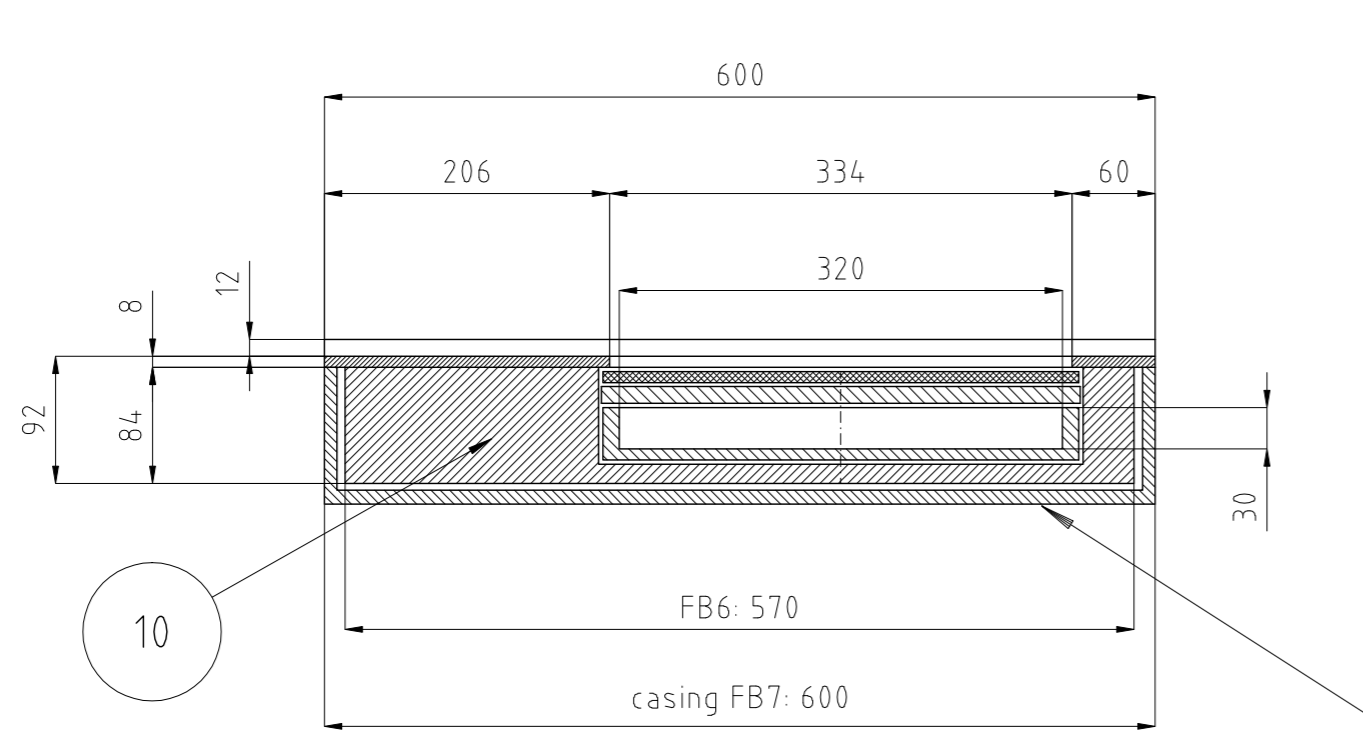
W x H x D = 320 x 30 x 240 mm

Required information for order:

Name, item no. and execution

(Our recommendation: Intercom System Delta)

FB7*-NS (tested according to M5 - DIN 52 290)



10

30

20

casing only needed for FB7!
for this order:

yes or: no

desk cut-out: 606 mm x 786 mm

P 7036 Transfer Tray
production: pcs.

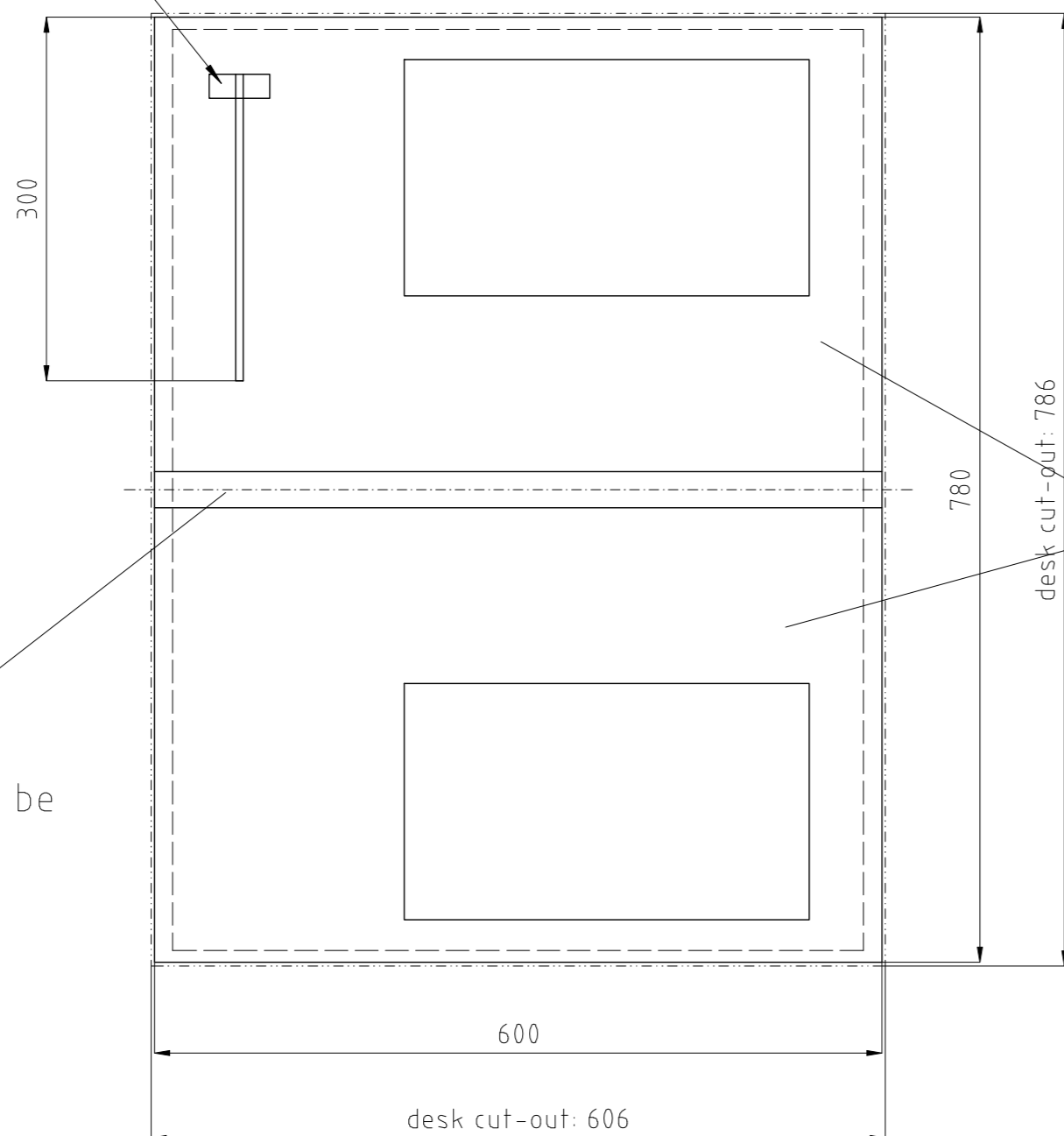
surface, cover frame:

.....
.....


item no., execution to FB6: 113248
item no., execution FB7: 117103

status: 18.01.2001

The stop bar can be
screwed off



customer

approval for production date: _____	<table border="1"> <tr> <th colspan="6">Allgemeintoleranzen DIN ISO 2768-1m Tolerierung DIN ISO 8015</th> </tr> <tr> <th>über 6</th> <th>über 30</th> <th>über 100</th> <th>über 300</th> <th>über 1000</th> <th>über 10000</th> </tr> <tr> <td>bis 6</td> <td>bis 30</td> <td>bis 100</td> <td>bis 300</td> <td>bis 1000</td> <td>bis 10000</td> </tr> <tr> <td>±0,1</td> <td>±0,2</td> <td>±0,3</td> <td>±0,3</td> <td>±0,5</td> <td>±1,2</td> </tr> </table>	Allgemeintoleranzen DIN ISO 2768-1m Tolerierung DIN ISO 8015						über 6	über 30	über 100	über 300	über 1000	über 10000	bis 6	bis 30	bis 100	bis 300	bis 1000	bis 10000	±0,1	±0,2	±0,3	±0,3	±0,5	±1,2	Auftrag: Projekt-Nr.: P 7036 Kunde:	<table border="1"> <tr> <th>Vers.</th> <th>Änderung</th> <th>Datum</th> <th>Name</th> </tr> <tr> <td>Erstellt</td> <td>Glaser</td> <td>12.12.2008</td> <td>Masstab: 1:5</td> </tr> <tr> <td>Geändert</td> <td>Glaser</td> <td>12.12.2008</td> <td>Format: A2</td> </tr> <tr> <td>Geprüft</td> <td></td> <td></td> <td>Zeichnungsnummer: 7.7036.00</td> </tr> <tr> <td></td> <td>Name</td> <td>Datum</td> <td>Index: 0</td> </tr> </table>	Vers.	Änderung	Datum	Name	Erstellt	Glaser	12.12.2008	Masstab: 1:5	Geändert	Glaser	12.12.2008	Format: A2	Geprüft			Zeichnungsnummer: 7.7036.00		Name	Datum	Index: 0
		Allgemeintoleranzen DIN ISO 2768-1m Tolerierung DIN ISO 8015																																													
über 6	über 30	über 100	über 300	über 1000	über 10000																																										
bis 6	bis 30	bis 100	bis 300	bis 1000	bis 10000																																										
±0,1	±0,2	±0,3	±0,3	±0,5	±1,2																																										
Vers.	Änderung	Datum	Name																																												
Erstellt	Glaser	12.12.2008	Masstab: 1:5																																												
Geändert	Glaser	12.12.2008	Format: A2																																												
Geprüft			Zeichnungsnummer: 7.7036.00																																												
	Name	Datum	Index: 0																																												
stamp and signature 	<p>Das Urheberrecht an dieser Zeichnung und sämtlichen Belegen verbleibt bei uns. Sie sind den Empfänger nur zum persönlichen Gebrauch anvertraut. Ohne unsere schriftliche Genehmigung dürfen sie nicht vervielfältigt, nicht Dritten Personen mitgeteilt oder sonstig bekannt werden. Widerrechtliche Benutzung durch den Empfänger oder Dritte hat zivil- und strafrechtliche Folgen.</p>	Werkstoff: Wenn ohne Angabe: Kanten: Grattfrei R-0,2 Oberfläche: DIN ISO 1302 Reih2 Rz 50	Benennung: P 7036 customer's drawing standard Artikel-Nr.: auf Zg.																																												

Dosname: X:P7036\7_7036_00_0_2.DWG Ursprung: